

the oilyrag

THE GOOD OIL ON TOOLS

Valid Nov - Jan 2016 • ISSUE #88



In business since 1955

Celebrating 60 years

Bay Engineers Supplies and Page Macrae Engineering (Founding partners, Robert Page & George Macrae) have witnessed Tauranga and the Mount grow from a small fishing village into a thriving city with a world class port. Page Macrae Engineering is our oldest customer and we thank them for 60 years of business. "A handful of trade is worth a handful of gold" An old Scots proverb meaning a handful of gold is soon spent, where as a trade will be continual support.

100% NEW ZEALAND OWNED AND OPERATED

www.bayengineerssupplies.co.nz



Bay
Engineers
Supplies

A BGH GROUP COMPANY

AUCKLAND	09 573 8300	PALMERSTON NTH	06 355 5710
MT MAUNGANUI	07 572 9470	NEW PLYMOUTH	06 759 9340
HAMILTON	07 850 9929	HASTINGS	06 878 7152
WELLINGTON	04 560 3967	CHRISTCHURCH	03 343 7350



COMPETITION

Find the hidden bearings throughout the magazine. Fax or email your contact details to: Oily Rag Competition email oilyrag@bgh-group.co.nz or fax: 07 575 0381 All correct entries go in the draw to WIN 1 x 20L KEG and 1 x 2L BOTTLE SQWINCHER, flavour of your choice (Grape, Lemon & Lime, Lemonade, Orange, Tropical and Wild Berry). (page 12) (see page 10 for conditions) entries close 15th January. Congratulations to David Owen, winner of the Magnetic Level. There were 18 bearings in the last issue.



COPPER ANTI-SEIZE

- Safe for use on both ferrous and non-ferrous metals
- Protects parts up to 982°C
- Does not compromise integrity of soft metals
- Heat aging won't affect lubricity of product
- MPI Approval C12

75ml Tube - CRC 3145

\$570

\$6.56 incl GST

500ml Tin - CRC 3183

\$2480

\$28.52 incl GST

400ml Aerosol - CRC 3195

\$1860

\$21.39 incl GST



400ml Aerosol - CRC 3197

\$2050

\$23.58 incl GST



NICKEL ANTI-SEIZE

- Copper-free formulation - For all metals, especially stainless steel
- Protects fasteners and metal surfaces from seizing and galling
- High temperature resistance - Protects parts up to +1315°C
- MPI Approval C12

75ml Tube - CRC 3147

\$810

\$9.32 incl GST

500ml Tin - CRC 3193

\$3540

\$40.71 incl GST

MARINE 66 - 400ml

- Displaces moisture to help start wet engines
- A multi-purpose oil designed to prevent damage due to water and salt atmosphere in marine engines and boating equipment
- Superior penetrating power, breaks away rust and corrosion, frees components bonded by dirt and scale
- Safe on all metals and alloys, most painted surfaces, coatings, plastics and rubbers
- Lubricates for smooth action, silencing annoying squeaks and squeals

CRC 6006

\$890

\$10.24 incl GST



TAC 2 ADHESIVE LUBRICANT- 400ml

- Lubricates and protects gears, sprockets, chains and sliding parts in industrial applications
- Resistance to cold, hot and salt water wash-off
- Temperature range from -25°C to +165°C
- Excellent resistance to fling-off at high speeds and temperatures
- Evaporates quickly, 15 seconds before it sets as a tacky oily film
- Reduces noise and vibration
- MPI Approved C12
- High load capacity

CRC 5035

\$1340

\$15.41 incl GST



ADOS MS HIGH PERFORMANCE ADHESIVE SEALANT - 400GM

- Paintable
- UV resistant
- Will not crack
- Extreme flexibility
- Interior & exterior use
- Low VOC, low odour
- Excellent adhesion strength
- Waterproofs, bonds & seals
- White, Clear, Black and Grey

ADOS 8361-White
 ADSO 8362-Clear
 ADOS 8363-Black
 ADOS 8364-Grey

\$1390 each

\$15.99 incl GST EACH



ADOS HS-E HIGH STRENGTH ELASTOMERIC ADHESIVE - 400GM

- High strength flexible structural adhesive based on MS technology
- Suitable for most substrates- Excellent primerless adhesion and very strong bond on building materials, metals and plastics
- Paintable with most paints based on water, epoxy or polyurethane
- Excellent weathering and water resistance and will not shrink
- Interior and exterior use
- White, Black and Grey

ADOS 8386-Grey
 ADOS 8387-White
 ADOS 8385-Black

\$1470 each

\$16.91 incl GST



SAPPHIRE ULTRAPLEX

- A general purpose lithium based bearing grease
- Extends lubrication periods
 - Resists water washout
 - Good adhesive properties
 - Temp range up to 180°C
 - MPI Approved C13

450g
 ROCOL RY424851

\$1330

\$15.30 incl GST

2.5kg
 ROCOL RY424853

\$6940

\$79.81 incl GST



20kg
 ROCOL RY424854

\$38150

\$438.73 incl GST

20ltr SIMPLE GREEN CONCENTRATE

- NON HAZARDOUS – NON FLAMMABLE – BIODEGRADABLE – NON ABRASIVE – NON TOXIC
- Simple Green® All-Purpose is non-toxic and biodegradable, without harmful bleach or ammonia. Because it is a concentrate, you can custom dilute it to clean just about anything. It replaces most cleaners, detergents, degreasers and solvents you're using now! MAF & AQNZ approved, certificates available on request.

SG 13004

\$10500

\$120.75 incl GST



Bonus 199ml Hand Cleaner



DIVIDERS

- Divider points are hardened for increased wear resistance
- Legs pivot on a roller and are tensioned by a bow spring
- Manufactured from selected steel
- Spring joint for precision settings



- 100mm
GROZ GZ01421
- 150mm
GROZ GZ01422
- 200mm
GROZ GZ01423
- 250mm
GROZ GZ01424
- 300mm
GROZ GZ01425

From \$10⁴⁰



Price Excl GST

TAP WRENCH T-HANDLE

- Self-centering hardened steel jaws provide a positive grip on taps, reamers and other such small tools
- Ideal for holding taps, reamers, screw extractors and other such small hand turned tools
- All wrenches have a sliding T handle frictionally held, that allows these tap wrenches to be used even in confined spaces



	Square Size	Tap Size	Price Excl GST
GROZ GZ09302	1/8 - 13/64 in	5/32 - 1/4 in (M4 - M6)	\$11.20
GROZ GZ09303	5/32 - 1/4 in	3/16 - 5/16 in (M5 - M8)	\$14.00
GROZ GZ09304	13/64 - 5/16 in	1/4 - 1/2 inch (M6 - M12)	\$16.80

4 PIECE METRIC COMBINATION RATCHETING WRENCH SET

- Gearwrench® – The Evolution of Innovation!
- Flat Type - "Original" ratcheting wrench
 - Chrome Vanadium
 - Surface drive® box reduces fastener rounding
 - Surface drive plus® provides stronger grip and up to 25% more torque
 - 5° movement
- Sizes: 10, 12, 13 & 14mm

KD 9404
\$40⁶⁰



\$46.69 incl GST



LONG NOSE LOCKING PLIERS WITH WIRE CUTTER

- Long straight nose provides easy access to narrow, hard-to-reach places
- Ideal for precision work and hobbies
- 225mm (9")



WISE-GRIP 9LN
\$37⁴⁰

\$43.01 incl GST

LOCKING SHEET METAL TOOL

- Excellent for upholstery work, bending, forming & crimping sheet metal
- Makes bread pan corners and can crimp and double crimp
- Locks to work with powerful grip
- 200mm (8")



WISE-GRIP 8R
\$42⁴⁰

\$48.76 incl GST



RECORD G-CLAMP

- I-braced design, cast from strong S.G. ductile iron
- Fast and smooth action twin start acme cold rolled threaded
- Fused handle designed to bend if overloaded
- Recommended for general purpose work
- Adjustable steel swivel shoe



EXCL GST

- \$19⁰⁰** 100mm RECORD T120/4
- \$25⁸⁰** 150mm RECORD T120/6
- \$36⁸⁰** 200mm RECORD T120/8
- \$48⁷⁰** 250mm RECORD T120/10
- \$69⁵⁰** 300mm RECORD T120/12

DUSTMASTER PLATFORM BROOM & HANDLE

- Beech handle with swivel tip
- Heavy duty plastic bracket
- Made in New Zealand
- Dense java fill



45cm
BROOM 786518
\$23⁸⁰

\$27.37 incl GST

65cm
BROOM 786524
\$25³⁰

\$29.10 incl GST



WIRE WHEEL

- Fast cutting action and long life
- Great for surface preparation
- For use on bench grinders
- Made in New Zealand



W150X19 MULTI
\$21⁹⁰

\$25.19 incl GST

W200X19 MULTI
\$27⁵⁰

\$31.63 incl GST

125mm ANGLE GRINDER ERGO

- 1200W New generation slimline model
- Anti-vibration handle
- Quick adjust guard



HITACHI G13SW(G1)

\$189⁰⁰

\$217.35 incl GST

355mm METAL CUT OFF SAW

- A unit designed for heavy duty applications
- Built around a powerful 2000W motor, this metal cut off saw also features a quick release vice and spindle lock
- Can cut up to 130 x 130mm shaped steel



HITACHI CC14SF

\$344⁰⁰

\$395.60 incl GST

FARMERS KIT

- Contains a ProSeries Impact Drill, 125mm Grinder, Mobile Smart Charger and 2 x 5.0Ah Li-Ion batteries
- Includes carry case



HITACHI TSK146

\$755⁹⁰

\$869.29 incl GST

230MM UVP ANGLE GRINDER

- This tough grinder features Hitachi's user vibration protection technology, making it the most comfortable option for prolonged tasks
- Auto-stop brushes for maximum motor protection and a low profile head for access into confined spaces
 - Supplied with a shock absorbing side handle
 - Easy to operate trigger switch
 - Powerful 2400W motor
 - 3-position side handle



HITACHI G23SEY

\$356⁰⁰

\$409.40 incl GST

HITACHI
www.hitachipowertools.co.nz

2000W DUAL TEMP HEAT GUN

- 2 heat settings 450/600°C
- 5-piece accessory set
- Includes carry case



HITACHI RH600T

\$82⁰⁰

\$94.30 incl GST

13mm HI-TORQUE DRILL

- The grunty D13VG, with its huge torque output of 74Nm, caters for holesaw and auger work with a powerful 800w motor
- Triple reduction gearbox
- Variable speed & reverse
- Includes carry case
- 2.1kg



HITACHI D13VG

\$332⁰⁰

\$381.80 incl GST

MULTI 20 WET & DRY VACUUM Nilfisk
Waterblasters & Vacuums

- The perfect machine for picking up messes and spills
- Semi automatic filter cleaning system
- Heavy duty washable polyester filter
- Blow function – inflate boats, mattresses, etc
- Easy storage of accessories
- Hose storage hook
- Large wheels and front castors for easy transportation
- Quick park function
- 5 metre electric cable and 2 metre hose
- Uses fleece bags for dry and wet applications

NILFISK MULTI120

\$213⁰⁰

\$244.95 incl GST



125MM BRUSHLESS 'SAFETY' ANGLE GRINDER

- Hitachi's unique AUTO mode adjusts the speed automatically between high and low speeds depending on the load
- High performance EDT Brushless motor delivers more power, higher torque and longer run times
- Compatible with ALL Hitachi 18V slide batteries
- Supplied without batteries, charger and carry case



HITACHI G18DBALNN

\$260⁷⁰

\$299.81 incl

Mitutoyo Dial Test Indicator 0.8mm x 0.01mm **Mitutoyo**

Designed to probe surfaces that cannot be reached with a normal dial gauge. Useful both for alignment & for measurement purposes. Strong frame provides excellent rigidity & durability. Non-magnetic pointer & contact point permit reliable operation even in magnetic environments.

MIT 513-404E

\$143⁸⁰

\$165.37 incl GST



Mitutoyo Combination Square Set Imp/Metric

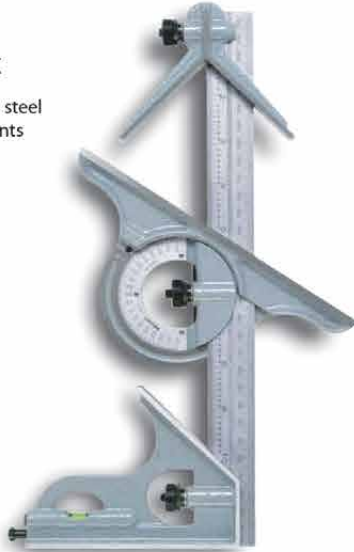
Three heads are attachable to the stainless steel rule (blade), allowing versatile measurements on various types of workpieces.

Mitutoyo

MIT 180-907B

\$306³⁰

\$352.25 incl GST



Telescopic Gauge Set 8-150mm

A spring-loaded plunger expands within a bore (or groove) and is locked in place, allowing measurement of diameter (or width) with an outside micrometer after extraction

MIT 155-905

\$213⁶⁰

\$245.64 incl GST



Mitutoyo

Trigger Start Micro Gas Torch

Use with Butane fuel only. Precision flame for detailed application / use. Adjustable flame control for ease in switching between different applications. Instant on trigger-start for easy lighting. Lock button keeps torch lit for finger free use

BERNZO MATIC TST200T

\$91³⁰

\$105.00 incl GST

BERNZO MATIC



Workshop Vice

Black Hammered Finish, Heavy Duty Anvil. Jaws are made from high carbon steel and are hardened and tempered to provide long life and durability. Fine machined anvil that can withstand the rigours of daily use & the floating nut ensures smooth & easy operation.

BLACK STEEL™



100mm - VICE VICB-SG04

\$68⁷⁰

\$79.01 incl GST

125mm - VICE VICB-SG05

\$112⁰⁰

\$128.80 incl GST

150mm - VICE VICB-SG06

\$164⁰⁰

\$188.60 incl GST

3/8" Air Drill (Reversible)

Durable idler planetary gears prolong air tool life. Positive action trigger for variable speed control. Ideal for general heavy duty drilling, engine work and other auto body applications

AmPro®

Avg. Air Consumption (CFM): 4.0
Spindle/Thread Size: 3/8"-24
Free Speed (RPM): 1,800
Air Pressure (PSI): 90
Air Inlet (NPT): 1/4"
Hose Size (ID): 3/8"
AMPRO AR2431



\$130⁰⁰

\$149.50 incl GST

3/16" Air Riveter

On Ideal for aluminium & steel rivets up to 3/16". Supplied with four riveting nozzles & two spanners. Trigger operated rivet with hardened steel jaw assembly & rivet shaft safety cap.

AmPro®

Avg. Air Consumption (CFM): 4.0
Rivet Size: 3/32", 1/8", 5/32", 3/16"
Air Pressure (PSI): 90
Air Inlet (NPT): 1/4"
Hose Size (ID): 3/8"
AMPRO A3706



\$201⁰⁰

\$231.15 incl GST

Trigger Start Micro Gas Torch

Use with Butane fuel only. Precision flame for detailed application / use. Adjustable flame control for ease in switching between different applications. Instant on trigger-start for easy lighting. Lock button keeps torch lit for finger free use

BERNZO MATIC TST200T

\$91³⁰

\$105.00 incl GST

BERNZO MATIC



Air Angle Die Grinder & Sander

Rear exhaust directs air away from work surface. Perfect for touch-up & production sanding. Unique gearless mechanism for longer tool life. Accurately grinds, & will smooth & finish rough areas when space is limited

Free Speed (RPM): 25,000
Avg. Air Consumption (CFM): 4 - 6
Air Pressure (PSI): 90
Air Inlet (NPT): 1/4"
Hose Size (ID): 3/8"

AMPRO AR3028

\$140⁰⁰

\$161.00 incl GST



AmPro®

METRIC DIAL-A-DRILL SETS

- Industrial quality
- High speed steel
- Made in New Zealand
- For drilling wood, metal and plastic
- DD13M 13pce set 1-7mm x 0.5mm
- DD19M 19pce set 1-10mm x 0.5mm



NO.DD13M
\$28²⁰

\$32.43 incl GST

NO.DD19M
\$52⁷⁰

\$60.61 incl GST



PRO-FRAME HACKSAW

- Trade quality
- Versatile 3 way blade setting
- Convenient blade storage facility
- Comes with a Bi-Metal HSS blade
- Two handed grip for precise cutting



HACKSAW EVACUT

\$18⁹⁹

\$21.84 incl GST

BOLT EXTRACTOR SET 4 PIECE

- Precision engineered for multiple extractions and maximum performance
- Made from high speed steel, tempered twice for longer tool life
- No grinding, centre punching or pilot holes required
- For bolt / metal thread size 1/4-1/2, M6-M12
- Sizes 1/4, 5/16, 3/8, 1/2
- For bolts up to 42HRC
- Made in the USA
- Industrial grade



GRABIT G4017

\$55⁸⁰

\$64.17 incl GST

HEAVY DUTY TOOL BAG

- Elastic straps on side for carrying such things as spirit level
- Plenty of storage pockets inside and out
- Tough nylon material - fully lined
- Shoulder carry strap included
- Heavy duty rubberised base
- Heavy duty zipper
- 600 x 260 x 260mm



KINCROME KK070052

\$61⁰⁰

\$70.15 incl GST



E3 IMPERIAL DRILL SET



- 29 Drills
- High speed steel
- Industrial quality
- 1/16" - 1/2" x 64ths
- Made in New Zealand
- New improved ABS case
- With bonus Evacut polo shirt*
- For drilling wood, metal and plastic



NO.S-E3

\$113²⁰

\$130.18 incl GST

*Available while stocks last



HSS COUNTERSINKS

- 90° Three Flute for countersinking/ counterboring screw holes
- Bright finish for general purpose applications, non-ferrous metals and plastics
- 12.4mm - Range 2.8-12.4mm, Shank 8mm
- 20.5mm - Range 3.5-20.5mm, Shank 10mm
- Made from M2 high speed steel
- Made to DIN335 specifications



\$11.62 incl GST

P107CS0124
\$10¹⁰

P107CS0205
\$20⁸⁰

\$23.92 incl GST



HSS STEP DRILLS

- Fixed drilling steps incrementally increases hole size in a controlled manner
- Spiral flute for reduced vibration and greater control through steps
- Three flat shank flats suits 3-jaw chuck
- Bright finish for general purpose applications, non-ferrous metals & plastics
- Made from M2 high speed steel
- 4-20mm (9 steps)
- 6-36mm (11 steps)



STEP DRILL 4-20

\$34⁷⁰

\$39.91 incl GST

STEP DRILL 6-36

\$94⁵⁰

\$108.68 incl GST



BACKPACK SPRAYER 15L

- Lever pump handle can be fitted left side or right side
- Fibreglass/Aluminium telescopic lance (450-900mm)
- Solvent resistant VITON® seals
- Max pressure 43 PSI (3.0 Bar)
- Comfortable shoulder straps
- Max flow rate 500ml/min
- HDPE tank



KINCROME KK16015

\$94⁰⁰

\$108.10 incl GST

CARGO CASES™



- Thick impact resistant UV stabilised HDPE plastic construction
- Bolt cutter resistant steel security latches (suitable for padlocks)
- Resists dust, chemicals, and oil
- With bonus Kincrome T-shirt
- Rubber water/dust seal
- Will not rust or dent
- Cable stays
- Heavy duty



900mm KINCROME KK7190 1200mm KINCROME KK7120

\$215⁰⁰ **\$309⁰⁰**

\$247.25 incl GST \$355.35 incl GST *Available while stocks last

UNDER UTE ALUMINIUM TRUCK BOXES



- Dual layer top for mounting strength
- T-handle locking system (2 keys)
- W 750 x D 250 x H 400mm
- Stainless steel piano hinge
- Chequer plate aluminium
- Rubber weather seal
- Weather resistant
- 2 Chain stays



RIGHT KINCROME KK51043
LEFT KINCROME KK51042

\$207⁸⁰

\$238.97 incl GST

PANASONIC VALUE PACK BATTERIES

- Best for digital cameras, CD players, remote control toys
- 30% longer lasting
- No Mercury added
- 1.5V.



Panasonic
ideas for life

AAA 24pack
PAN LR03T/24V

AA 24pack
PAN LR6T/24V

\$16⁸⁰

\$19.32 incl GST



6V HEAVY DUTY LANTERN BATTERY

- General purpose lantern battery
- Carbon-Zinc



Panasonic
ideas for life

PAN 4F/H4R25

\$4⁷⁰

\$5.41 incl GST



KOMELON
MEASURING INSTRUMENTS

PRO ERGO POCKET TAPES

- Nylon coated blade for added maximum protection
- Class II accuracy printed blade, controlled by precise equipment
- Ergonomically designed case for comfortable grip
- Top control speed lock holds blade securely
- Triple-riveted end hook

- Thick high carbon steel blade for maximum blade extension
- Pocket tape in ABS case with Yellow Nylon Coated Steel Blade and belt clip (mm marking on metric only tapes - except 3m)

Code	Length	Blade Width	EXCL GST
KOMELON 3320	3m	16mm	\$8⁹⁰
KOMELON 3325	5m	19mm	\$13³⁰
KOMELON 3330	8m	25mm	\$19⁴⁰
KOMELON 3335	10m	25mm	\$23⁵⁰
KOMELON 3340	3m/10ft	16mm	\$8⁹⁰
KOMELON 3345	5m/16ft	19mm	\$13³⁰
KOMELON 3350	8m 26ft	25mm	\$19⁴⁰

KAPRO DIGITAL LEVEL

- 360° readout – flips in upside-down position
- Mode function (degree/percentage/pitch)
- Recalibration function and "false zero"
- Memory recall – 9 measurements
- Buzzer at 0°, 45°, and 90°
- Waterproof bag included
- Low battery indicator
- LCD with backlight
- Hold function



KAPRO KL985D-60 KAPRO KL985D-120
\$193²⁰ **\$236⁶⁰**

\$222.18 incl GST \$272.09 incl GST



KAPRO DIGITAL BEVEL

- Designed for use with power hand-saw
- Adjustable blade locks at any angle for marking and cutting lines
- Precise Angle Measurer and Level
- Reference angle (false zero) for transferring angle measurements
- Anodized aluminium profile
- Clear digital display flips for upside-down reading
- Easy recalibration
- Accuracy ± 0.1°



KAPRO KL992
\$133⁵⁰

\$153.53 incl GST

POWERBUILT

Serious Tools For Serious Work[®]

1/2" Dr 44pc Combination Socket Set

1/2" Dr (12pt Std)
Sockets 10mm to 36mm,
1/2" to 1 1/8"

Drive Accessories:

1/2" Dr Ratchet,
Spark Plug Sockets,
Extensions, Power Bar,
Sliding T Bar,
Universal Joint

HBW KBT2768

\$179⁸⁰

\$206.77 incl GST

Bonus CREE LED Flashlight
with this 1/2" Dr Socket Set



BONUS TOOL

Bonus Product #LLS2255

16pc Punch & Chisel Set

HBW DB5315 **\$41⁹⁰**

\$48.19 incl GST

POWERBUILT



10pc 'Go-Through' Screwdriver Set

'Go-Through' shaft to absorb
impact, providing greater
striking force

- Hex shaft, magnetic tips
- Includes Phillips,
Slotted, Robertson

\$64.29 incl GST

HBW WSS5012

\$55⁹⁰

POWERBUILT



3/4" Dr 8pc 6pt Impact Socket Set

• Chrome moly steel,
Impact rated

Standard

• 26 - 38mm

HBW KBT0021

\$116²⁰

\$133.63 incl GST

POWERBUILT



3/4" Dr 8pc 6pt Impact Socket Set

• Chrome moly steel,
Impact rated

Deep

• 26 - 38mm

HBW KBT0022

\$166⁶⁰

\$191.59 incl GST

POWERBUILT



11pc Ring & Open End Spanner Set

• Heat treated, drop forged, chrome vanadium steel, raised panel

- Includes 8mm to 24mm

\$62.79 incl GST

HBW WC7024

\$54⁶⁰

POWERBUILT



3 Ton Garage Jack

- Meets ANSI specifications
- Lifting range 138mm to 495mm
- Extra long frame and handle for added reach
- Knurled handle grips
- Heavy duty design with superior lifting capacity
- Flanged frames for extra strength
- Extra wide frame and wheel for stability
- Features two fixed and two castor wheels
- Overload protection valve

HBW 647528

\$257⁶⁰

\$296.24 incl GST

POWERBUILT

Bonus 3Ton Axle Stands

Bonus Product #640726



BONUS TOOL

3/8" Dr 74pc Metric Tool Set

Sockets:

3/8" Dr 6mm to 22mm

Drive Accessories:

3/8" Dr Ratchet,
Spark Plug Sockets,
Extension, Universal Joint

Additional Hand Tools:

Screwdrivers, Ring and
Open End Spanners,
Bit Driver & Assorted Bits
Linesman, Long Nose,
Diagonal, Groove Joint &
Locking Plier, Adjustable
Wrench, Ball End
Hex Keys

HBW KBT2765

\$217⁰⁰

\$249.55 incl GST

POWERBUILT



1/4" Dr , 3/8" Dr 8pc Metric ZEON Socket Set

- Patented design sockets grip tighter as they turn
- Prevents fasteners from rounding
- Ideal for standard, rusted, damaged & rounded bolts
- Includes 1/4" Dr 6mm, 8mm, 10mm, 12mm, 3/8" Dr 13mm, 14mm, 15mm, 19mm

HBW 941322H \$14⁷⁰

\$16.91 incl GST



POWERBUILT®

Serious Tools For Serious Work®

189pc Tool Chest & Assorted Tools

- 9 Drawer Tool Chest, Racing Series
- 38pc Gearless Ratchet Driver and Bits Tray
- 94pc Socket, Driver & Accessory Tray
- 31pc Plier, Hex Key & Adjustable Wrench Tray
- 25pc Ring & Open End Spanners & Screwdriver Tray

HBW CCT009F

\$852⁵⁰

\$980.38 incl GST



Bonus POWERBUILT LED WORK LIGHT

Bonus Product #EKS0134

13pc Metric Reversible Gear Spanner Set

- Works with just 5° swing
- Includes 6, 8, 10, 12, 13, 14, 15, 17, 18, 19, 21, 22, 24mm

HBW WC6013 \$203⁰⁰

\$233.45 incl GST



Bonus Product #SQX0001

BONUS BALL

36pc Tamper Proof Bit Set

- Tamper Proof Torx
- Tamper Proof Hex
- Torque Spanner
- Tri-Wing

HBW 940668

\$22.54 incl GST

\$19⁶⁰



POWERBUILT

7 Drawer Roller Cabinet - Racing Series

- Internal locking system
- Protective drawer liners
- Ball bearing slides
- Steel thickness: 0.8mm Dr, 1.0mm Body
- Features 2 fixed & 2 castors with brakes 115 x 50mm
- Overall dimensions: 680 x 460 x 1000mm

HBW RMS6156

\$599⁰⁰

\$688.85 incl GST



POWERBUILT

Powerbuilt Generator

- High performance, recoil start, petrol powered Generator (6250W is Recoil/Electric Start)
- Low oil sensor prevents engine damage from low oil
- Aluminium wire, brushed type alternator
- 25L Large fuel tank with fuel gauge (2700W has a 15L fuel tank)
- Noise output level @ 7M away, 65dB, 72dB & 76dB
- 250mm Pneumatic wheels (2700W has 175mm Solid wheels)
- Compact frame with foldable handle
- Features hour meter, circuit protector, on/off switch & low oil light
- Includes 10W 30 Engine Oil and Funnel

2700 Watts

- 7HP, 3000RPM, Powerbuilt XT210 OHV Engine
- 2700 Watts Rated output, 3200 Watts Peak output

HBW EGS0248

\$571⁵⁰

\$657.23 incl GST

5000 Watts

- 13HP, 3000RPM, Powerbuilt XT390 OHV Engine
- 5000 Watts Rated output, 6000 Watts Peak output

HBW EGS0249

\$970³⁰

\$1115.85 incl GST

6250 Watts

- 14HP, 3000RPM, Powerbuilt XT410 OHV Engine
- 6250 Watts Rated output, 7250 Watts Peak output
- Recoil/Electric Start

HBW EGS0250

\$1166⁷⁰

\$1341.71 incl GST



Model Pictured: #EGS0248

AIR COMMAND INDUSTRIAL 12 VOLT AIR COMPRESSOR

A heavy duty, high volume, oil-lubricated 12 volt compressor! Large 4cfm output, a max pressure of 175psi and all mounted in a rugged rollframe with a 5 litre receiver.

- 4cfm displacement
- 75% duty cycle
- 5 litre receiver
- 40 X 40 X 38cm and only 15kg.
- 100% Taiwanese
- 24Volt model available -ORC24-5.
- Complete with a 1 year industrial warranty.



**Free
Air Hose + Tyre
Inflator**

AIRCOMMAND ORC

\$668⁰⁰

\$768.20 incl GST

AIRCOMMAND AC16I

\$1245⁰⁰

\$1431.75 incl GST

220 AMP PORTABLE COMPACT MIG WELDER

- Fully variable voltage and wire speed controls
- Single phase, 230V input power
- Takes full size 15kg spools
- 2 year industrial warranty
- Exceptional weld control
- Generator safe
- Gas/Gasless



WELD CXM220PRO

\$1606⁰⁰

\$1846.90 incl GST

SUPERCUT 50 AMP INVERTER PLASMA CUTTER

- Cebora style torch ensures long consumable life and superior cut quality
- Cuts up to 14mm steel and 8mm alloy
- Digital display and adjustable post gas ensure long consumable life
- Cebora style torch for cost effective long lasting consumables
- HF Start for difficult materials
- 2 year industrial warranty
- Generator safe



WELD SC50C

\$1156⁰⁰

\$1329.40 incl GST

750W HIGH TORQUE ROTARY DRILL

- Variable speed to prevent ripping at startup
- Capacity in steel 16mm, wood 50mm
- Metabo S-automatic safety clutch
- Extreme output torque: 75Nm
- Speed: 0-660rpm
- Motor: 750W



METABO BE75-16

\$439⁵⁰

\$505.43 incl GST

125MM ANGLE GRINDER

- Metabo S-automatic safety clutch: direct mechanical decoupling in case of jamming of the disc minimises kickback - for high safety and swift progress; proven for decades
- Now even faster: Metabo Quick System for tool-free disc change at the touch of a button by means of quick flange nut
- Auto-stop carbon brushes to protect the motor
- Metabo marathon motor with patented dust protection for long service life



METABO WQ1010

\$225⁰⁰

\$258.75 incl GST

600W IMPACT DRILL

- Thumbwheel for preselection of speed
- Auto stop carbon brushes
- Forward and reverse
- 13mm keyless chuck
- Rubber grip handle
- Variable speed



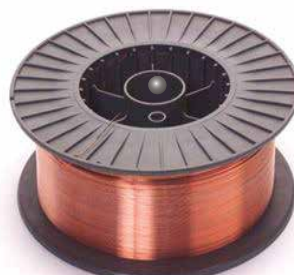
METABO SBE601

\$129⁹⁹

\$149.49 incl GST



- 15kg rolls (ER-705-6)
- Copper coated solid wire
- For use with Argon / CO2 mix
- 0.8mm and 0.9mm sizes available



WELD MW15KG08
WELD MW15KG09

\$42⁸⁰ EACH

\$49.22 incl GST EACH

WELDCAP



The Optrel WeldCap® brings together the comfort of a casual cap and the advantages of a full welding helmet.

- Weighs only 400 grams
- Wide angle detection sensors
- Material combination of plastic and textile
- Grinding mode and variable shades 9-12 which covers majority of welding applications
- Closer to the eyes which enlarges the welder's line of sight by 2.7 times
- Textile part is robust, easily detached and made of washable flame retardant fabric
- Applications: All electric arc welding processes
- Approved to AS/NZS 1337.1
- Spare parts available



OPTREL 1008.000
\$240⁰⁰

\$276.00 incl GST



SAFETY AND ACCESSORIES



LAVORO WOMAN

Crafted with Elegance
Exclusively for Women

Welcome to Lavoro Woman! Elegant styles. Professional protective footwear tailored exclusively for women. Now you can look great, be safe and comply with Health and Safety requirements. There's is no longer any need to compromise on how you look when you are required to wear protective safety footwear. Lavoro Woman is crafted in elegance, anatomically comfortable and designed exclusively for women, unique in the world.



EVA BES NO.1153.10/SIZE **\$179.99** +GST
Low profile dress shoe with premium full grain leather. Aniline fine grain leather lining and Lavoro Comfort innersole. Steel safety toe cap and Kevlar anti penetration midsole.
Sizes: NZ 4-10 Euro 36-42
EN ISO20345:2011 S2+P SRC



GRACE BES NO.1133.00/SIZE **\$179.99** +GST
High heel dress shoe with premium full grain leather. Aniline fine grain leather lining and Lavoro Comfort innersole. Steel safety toe cap and Kevlar anti penetration midsole.
Sizes: NZ 4-10 Euro 36-42
EN ISO20345:2011 S3 SRC



JULIA BES NO.1033.06/SIZE **\$199.99** +GST
High heel zip up boot with premium full grain leather and padded comfort top line. Aniline fine grain leather lining and Lavoro Comfort innersole. Steel safety toe cap and Kevlar anti penetration midsole.
Sizes: NZ 4-10 Euro 36-42
EN ISO20345:2011 S3 SRC



by Honeywell

SYNC CLASS 5 EAR MUFFS

- AM/FM digital tuner
- 3.5mm MP3 input cable
- Includes 2 AA batteries
- 10 station and volume memory

STANDARDS
Approved to AS/NZS 1270:2002,
SLC80 26dB Class 5



Black
BES 1030330
Yellow
BES 1030332

\$90⁰⁰

\$103.50 incl GST

MINERAL SPONGE

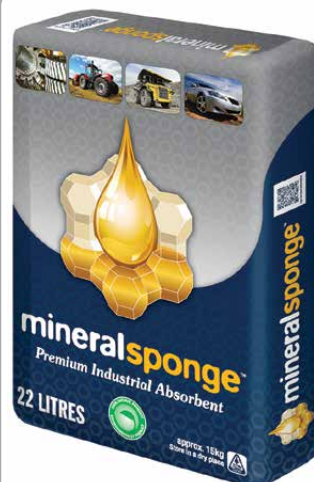
Apply liberally over spill and wait until petroleum/chemical is completely absorbed. Sweep up and dispose of according to hazardous goods recommendation.

- Multi-purpose liquid and vapour absorbent
- Absorbs all: Acids & alkalis, vapours & fumes oils and chemicals

OIL DRY 22

\$16³⁰

\$18.75 incl GST



SQWINCHER - Summer Promotion!

- Sqwincher is an electrolyte replacement drink formulated to replace mineral salts, replenish fluids and sugars at optimal absorption rates.
- Ideal for workers in hot or humid environments and helps to reduce heat stress disorders and workplace accidents.
- 2L bottle makes 20 litres.
- 6 bottled flavours to choose.

SQWINCHER G 2
 SQWINCHER L 2
 SQWINCHER LL 2
 SQWINCHER OR 2
 SQWINCHER TR 2
 SQWINCHER WB 2

\$23⁹⁰ each

\$27.49 each incl GST

Purchase any 2Lt Sqwincher between November to end of January and go into a fortnightly draw to win 1 of 3 20 litre Sqwincher Kegs.



Check out our summer promotions in store.

How Safe is Your Work Site?

Hazardous Substance Storage, Handling & Emergency

Spill Response Kits

GP, Universal, Oil and Chemical kits - we can do them all!
 Speak to us about custom kits as well!



Bonus - 10 Pack Universal Pad with every kit purchased

Spill Containment

We have varied solutions for indoor and outdoor for small containers, drums and IBC storage from UltraTech, the world leaders in Spill Containment solutions



Bonus - 25ltr Universal Spill kit with every UltraTech Pallet or Deck system purchased

NEW ZEALAND'S biggest SALES & RENTAL SUPPLIER FOR

CLIMAX
 Portable Machining & Welding Systems

Robert Page Engineering have a proven track record and offer:

- ⊘ MACHINERY RENTAL
- ⊘ SERVICE & LABOUR
- ⊘ NON DESTRUCTIVE TESTING

LARGE CAPACITY
 ISO9001
 ANY JOB ANYTIME
 WORKSHOP



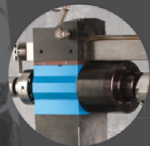
BORING MACHINES

Seven models and dozens of configurations. Boring diameters up to 80 inches (2032 mm).



BORE WELDING

Both automated spiral and step welding systems are available. Attach to Climax boring machines to let you bore and weld with one setup or even simultaneously.



PORTABLE LATHES

Direct mount to the work piece and rotate around the shaft. Cut O-ring grooves, repair spindles, or fix gear seats with as little as 7 inches (177.8 mm) of radial clearance.



MILLING MACHINES

Highly configurable circular, linear and key mills. Precise specifications, with easy set-up and fast metal removal.



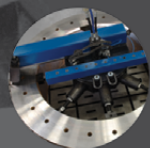
KEY MILLS

Two-axis and three-axis mills cut keyways, slots, pockets, or flats on shaft diameters of 1.5 to 24 inches (38.1 to 609.6 mm).



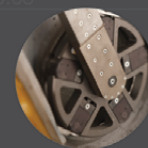
PIPE BEVELING

ID mount pipe beveling tools from 1 to 12 inches (25.4 to 304.8 mm). Our smaller flange facers come with pipe beveling heads that bevel pipe.



FLANGE FACERS

Reface, bevel, counterbore or cut end prep configurations for welding. Easy set-up and OD or ID mounting. Seven models with machining diameters up to 120 inches (3048 mm).



GRINDING & LAPPING

Bore, turn, thread, face, machine weld preps and more using these ingenious repair tools. Select or configure for a huge variety of valves.

To find out more information on Climax products, speak to Shane Hodge on 0272 789 562

☎ 07 578 4171 ☎ 07 578 8061
 ✉ ndt@robertpage.co.nz
 27 Glasgow Street, Tauranga
 www.robertpage.co.nz

robert page
 ENGINEERING